



SMT High Current Power Inductors - SEP0615E SERIES



PART NUMBERING SYSTEM

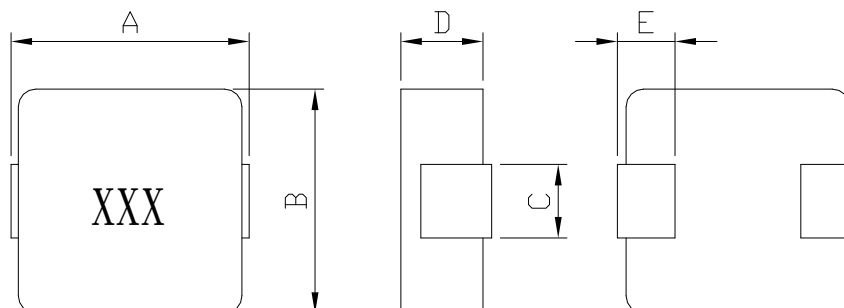
SEP	0615E	—	4R7M	—	L F
TYPE	DIMENSIONS		INDUCTANCE		LEAD FREE

FEATURES :

- Low profile (1.50mm max. height) and 7.5 mm max. square.
- Magnetically shielded and low DC resistance and Suitable for large current .
- Inductance range : 0.22uH to 10uH with DC Current up to 22A.
- Ideal for DC – DC converter inductor application in hand help personal Computer ,etc .
- Frequency range up to 5MHZ with large current handling capability .

SHAPES AND DIMENSIONS :

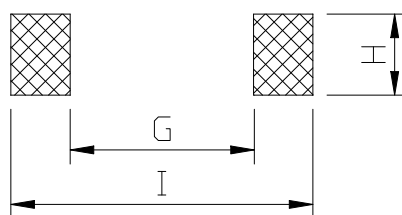
UNIT : mm



A=7.5 Max B=6.9 Max. C=3.0±0.3 D=1.5 Max. E=1.8±0.3

RECOMMENDED PATTERNS

UNIT : mm



H=3.5 G= 3.8 I = 8.0

SMT High Current Power Inductors - SEP0615E SERIES



SPECIFICATION TABLE

PART NUMBER	INDUCTANCE (μH)	Isat (A) (Typ.)	Irms (A) (Typ.)	DCR (mΩ) (Typ.)	DCR (mΩ) (Max.)	TEST FREQ. (Freq.)
SEP0615E-R22M-LF	0.22±20%	22.0	14.0	4.3	5.2	100KHz/1V
SEP0615E-R33M-LF	0.33±20%	18.0	11.0	6.6	7.6	100KHz/1V
SEP0615E-R47M-LF	0.47±20%	16.0	9.5	9.0	10.3	100KHz/1V
SEP0615E-R68M-LF	0.68±20%	15.0	7.5	13.8	15.2	100KHz/1V
SEP0615E-1R0M-LF	1.0±20%	12.0	6.5	23.0	25.8	100KHz/1V
SEP0615E-1R5M-LF	1.5±20%	10.5	5.6	29.0	34.0	100KHz/1V
SEP0615E-2R2M-LF	2.2±20%	9.5	5.0	37.0	42.5	100KHz/1V
SEP0615E-2R5M-LF	2.5±20%	6.5	4.5	48.0	55.0	100KHz/1V
SEP0615E-3R3M-LF	3.3±20%	6.0	4.2	62.0	74.0	100KHz/1V
SEP0615E-4R7M-LF	4.7±20%	5.0	3.8	96.0	111	100KHz/1V
SEP0615E-5R6M-LF	5.6±20%	4.5	3.0	115	138	100KHz/1V
SEP0615E-6R8M-LF	6.8±20%	3.5	2.6	128	148	100KHz/1V
SEP0615E-8R2M-LF	8.2±20%	3.2	2.4	153	184	100KHz/1V
SEP0615E-100M-LF	10±20%	2.8	2.3	180	216	100KHz/1V

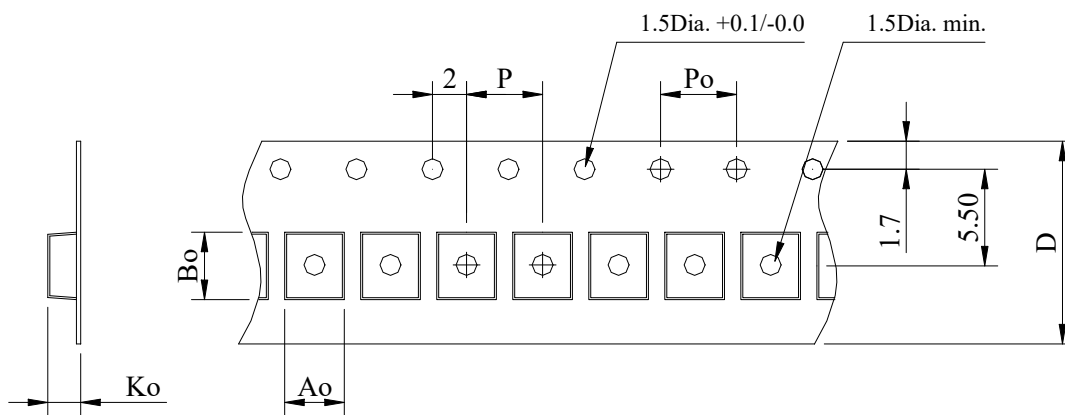
- Isat : DC current at which the inductance drops 20% (typ) from its value without current.
- I rms : Average current for a 40°C temperature rise above 25°C ambient.
- Operating temperature range -55°C to +125°C , Electrical specifications at 25°C.



SMT High Current Power Inductors - SEP0615E SERIES



PACKAGING SPECIFICATION



STAYLE	Q'TY (PCS)	DIMENSIONS (m/m)					
		A_o	B_o	K_o	P	P_o	$D \pm 0.3$
13"	2,000	7.2	7.0	2.8	12	4.0	16